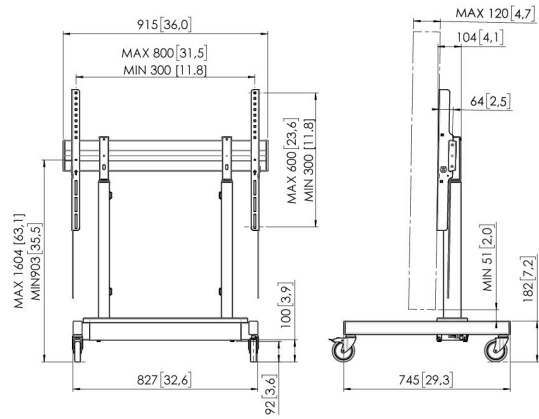


## RISE 3205 Motorized Display Lift Trolley basic 50 mm/s (black, UK)

Article number (SKU): **7332054**  
Colour: **Black**



### Tender specifications

BRAND AND PRODUCT; Vogel's RISE 3205; Motorized display lift; colour: black; 50 mm/s; MARKET SEGMENTATION: motorized display lift, ideal for use in a school, meeting room or lobby; market segment education; market segment corporate; SUITABLE FOR: suitable for (interactive, touchscreen) displays of up to 86 inches; Max. weight load 100 kg / 220 lbs; MATERIALS: Lift console with black powder-coat according to RoHs guidelines; motor developed by Vogel's; aluminium interface bar; 100 mm caster wheels with double plastic slewing rings, fitted with non-marking thermoplastic rubber band; FEATURES: TÜV-5 tested; endurance test of at least 30,000 cycles; CE certificate; UL pending (2021); GS pending (2021); 5-year guarantee; universal interface suitable for any brand of interactive flat panel display up to 86 inches; lift speed 50 mm/s with display up to 100 kg / 220 lbs; extra low position for children; straight base construction; child lock for lift operation; anti-collision protection, physical contact with objects moves lift in opposite direction; eco-friendly packaging without EPP | EPS; special RISE accessories available for RISE display lift.; "TECHNICAL SPECIFICATIONS: Min. VESA 300 x 300 mm / 11.8 x 11.8 inches; VESA 800 x 600 mm / 31.5 x 23.6 inches; Min.- Max. distance floor to centre display 903 mm - 1603 mm / 35.5 - 63.1 inches; 700 mm / 27.5 inches height adjustable; lift speed 50 mm/s; depth from front of interface 446 mm / 17.5 inches; power supply 100-240 V ~ 50/60 Hz; rated current: EU/UK: 6A, US/CA: 15A; peripherals: Max. 900 W; standby power consumption 0.5 W; 100 mm / 3.9 inch premium caster wheels; product height x width x depth, 1,208 x 953 x 844 mm / 47.5 x 37.5 x 33.2 inches; Net weight 39.9 kg / 88 lbs;" "LOGISTICS: box dimensions 951 x 743 x 234 mm / 37.4 x 29.3 x 9.2 inches; Gross weight 43.8 kg / 96.6 lbs Number/pallet (CP5 in 50 HC) 10; Number/pallet (warehouse) 6; " Vogel's Products BV | [www.vogels.com](http://www.vogels.com)



**Article number (SKU): 7332054**  
**Colour: Black**



### Key Benefits

- Height adjustment range of no less than 700 mm
- TÜV and CE certified
- Movement speed of 50 mm/s for the heaviest screens with QuickRise™
- Lock your TV with a single click through ClickLoc™

Display moved smoothly and safely to the correct height. A RISE 3205 motorized display lift trolley is suitable for (interactive) displays measuring up to 86" and weighing max. 100 kg. The lift raises the display smoothly and safely at a speed of 50 mm/s. The motorized display lift has a 700 mm travel range.

Sustainability is a key component of the RISE Series display lifts. Vogel's offers an endurance tested design of the display lift of over 30,000 cycles. No EPP | EPS is used in the packaging. There is also a reduction of 85% single used plastic in the packaging. This keeps waste streams to a minimum.

VOGEL'S HOLDING BV (©)

All rights reserved.

Subject to printing errors, technical and price amendments.

Date: 2023-08-03