



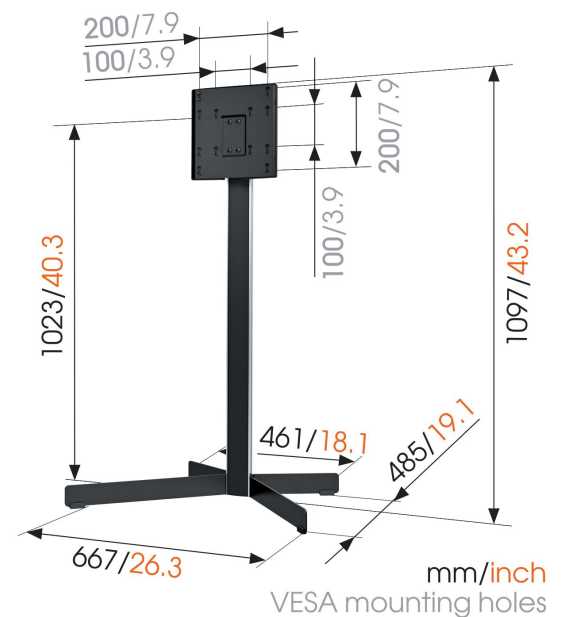
## EFF 8230 TV Floor Stand

### Key Benefits

- Lock your TV securely in place
- Smoothly turn your TV up to 60°
- Stylishly conceals all your cables

### Strong and flexible

This floor stand is suitable for flatscreen televisions with a diagonal screen size of 19 to 40 inches (48 to 102 cm) and a maximum weight of 30 kg. The stand allows you to turn the screen 30 degrees to the left or right, so you can adjust it to the optimal viewing position.





## EFF 8230 TV Floor Stand



# Specifications

Article number (SKU)	8382300
Colour	Black
EAN single box	8712285317866
Product size	S
Height	1097
TÜV certified	Yes
Turn	Limited motion (up to 60°)
Guarantee	Lifetime
Min. screen size (inch)	19
Max. screen size (inch)	40
Max. weight load (kg/Lbs)	30 / 66.14
Max. bolt size	M8
Max. height of interface (mm)	240
Max. width of interface (mm)	240
Cable management	Integrated cable management
Certifications	TÜV
Max. horizontal hole pattern (mm)	200
Max. vertical hole pattern (mm)	200
Min. distance to floor - center display (mm)	1000
Universal or fixed hole pattern	Fixed

VOGEL'S HOLDING BV (©)

All rights reserved.  
Subject to printing errors,  
technical and price  
amendments.

Date: 2023-01-13



**Vogel's.** For Sure.