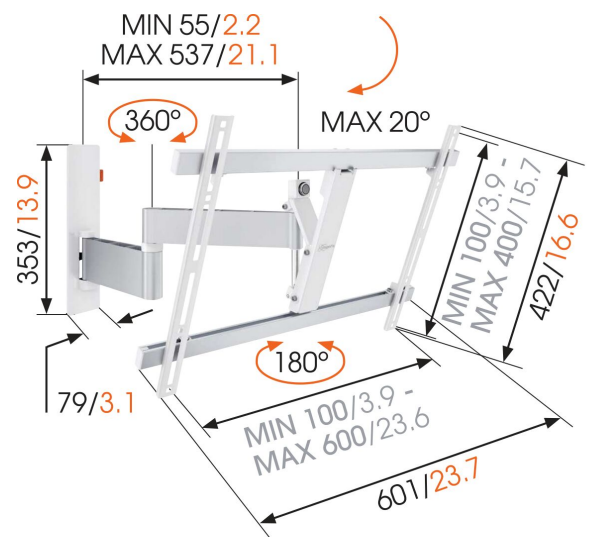




## WALL 2345 Full-Motion TV Wall Mount (white)

### For large TVs up to 65 inch (165 cm)

The WALL 2345 TV wall mount is suitable for 40 to 65 inch (101 to 165 cm) TVs. It provides safe and secure mounting for TVs up to 30 kg (66 lbs). Flexible viewing from anywhere in the room. Now you can enjoy watching TV from different places with the WALL 2345 full-motion mount from Vogel's. The perfect view from the dining area and from the nearby living room. A great way to see your favourite TV show from a variety of places.



mm/inch  
VESA mounting holes



## WALL 2345 Full-Motion TV Wall Mount (white)

# Specifications

Article number (SKU)	8353081
Colour	White
EAN single box	8712285325526
Product size	L
Tilt	Tilt up to 20°
Turn	Full motion (up to 180°)
Guarantee	Lifetime
Min. screen size (inch)	40
Max. screen size (inch)	65
Min. hole pattern	100mm x 100mm
Max. hole pattern	600mm x 400mm
Max. bolt size	M8
Max. height of interface (mm)	422
Max. width of interface (mm)	601
Certifications	TÜV
Max. distance to the wall (mm / inch)	540 / 21.26
Min. distance to the wall (mm / inch)	55 / 2.17
Number of pivot points	3
Universal or fixed hole pattern	Universal
Awards	iF Product Design Award
Max. thickness desk	iF Product Design Award

VOGEL'S HOLDING BV (©)

All rights reserved.  
Subject to printing errors,  
technical and price  
amendments.

Date: 2023-01-23