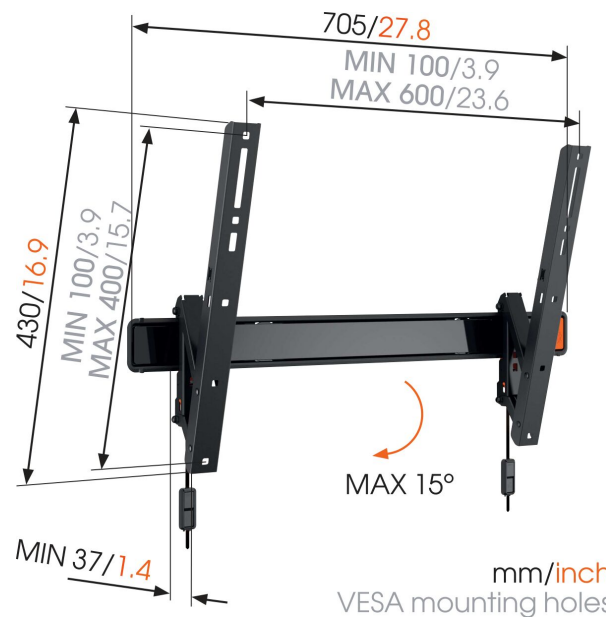


## WALL 2315 Tilting TV Wall Mount

### For large TVs up to 65 inch (165 cm)

The WALL 2315 TV wall mount is suitable for 40 to 65 inch (101 to 165 cm) TVs. It provides safe and secure mounting for TVs up to 40 kg (88 lbs). Squeezed for space? Mount your TV higher up on the wall. Putting a TV higher on the wall with the WALL 2315 TV wall mount is a great way to save space, reduce reflections and keep your TV safely out of reach of pets or children. Simply tilt your TV forward to watch it in comfort from where you are lounging or sitting.





## WALL 2315 Tilting TV Wall Mount

# Specifications

Article number (SKU)	8350810
Colour	Black
EAN single box	8712285330001
Product size	L
Tilt	Tilt up to 15°
Guarantee	Lifetime
Min. screen size (inch)	40
Max. screen size (inch)	65
Min. hole pattern	100mm x 100mm
Max. hole pattern	600mm x 400mm
Max. bolt size	M8
Max. height of interface (mm)	430
Max. width of interface (mm)	705
Min. distance to the wall (mm / inch)	37 / 1.46
Universal or fixed hole pattern	Universal

VOGEL'S HOLDING BV (©)

All rights reserved.  
Subject to printing errors,  
technical and price  
amendments.

Date: 2023-01-27