



expanding experiences



SOUND 5201

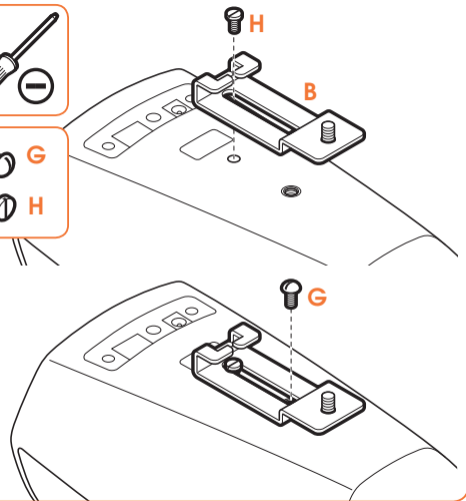
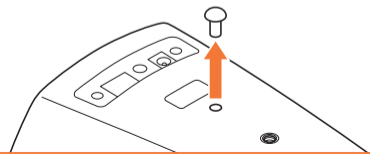
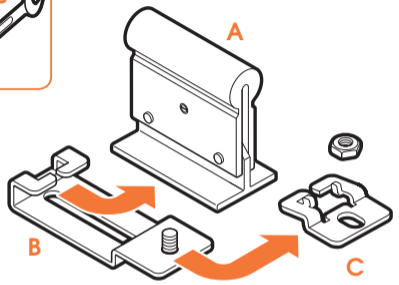
Max. weight load = 3 kg

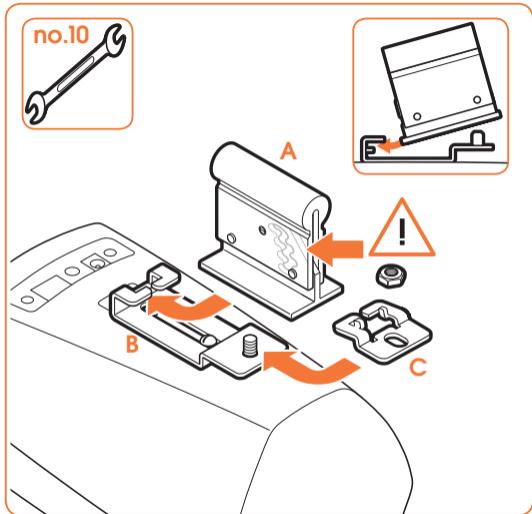
Scan the QR-code to find the
installation movie on YouTube:

More information on: www.vogels.com

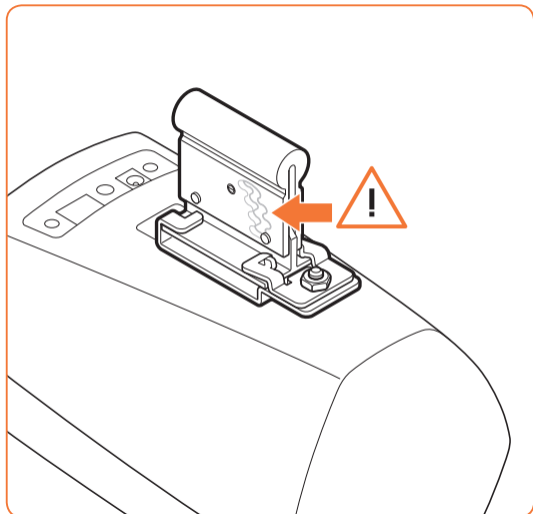


no.10

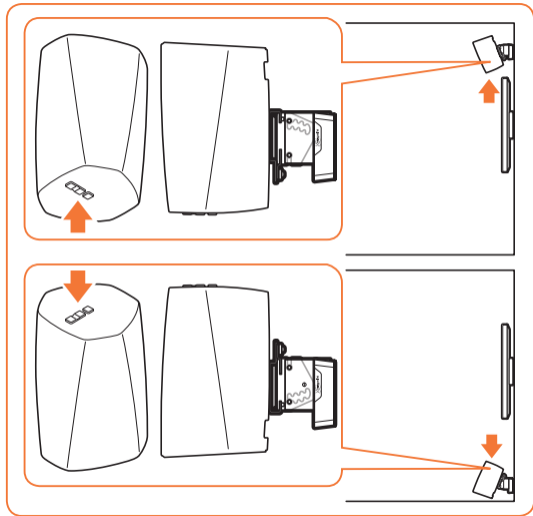




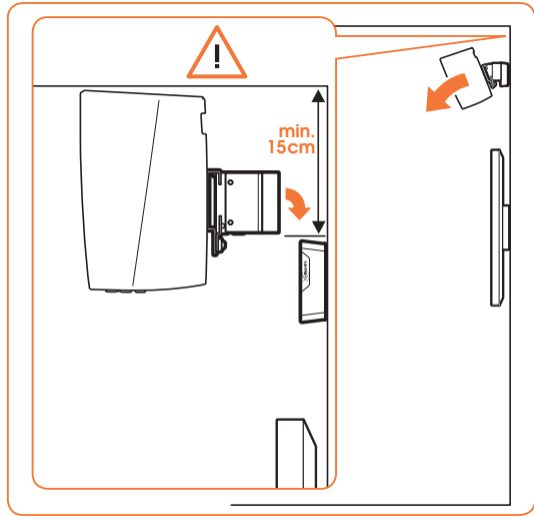
4



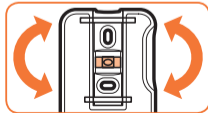
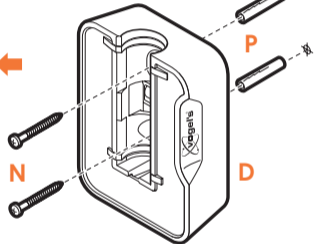
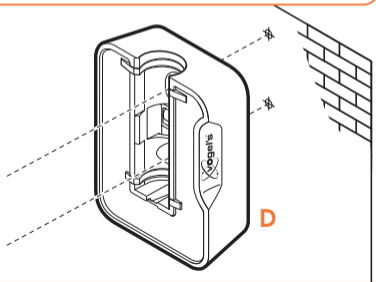
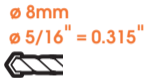
5

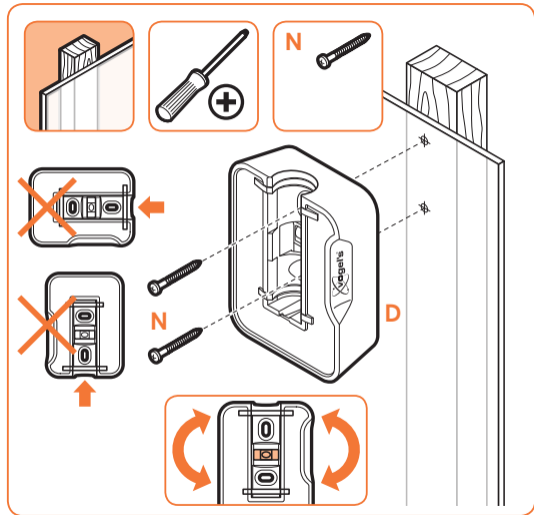
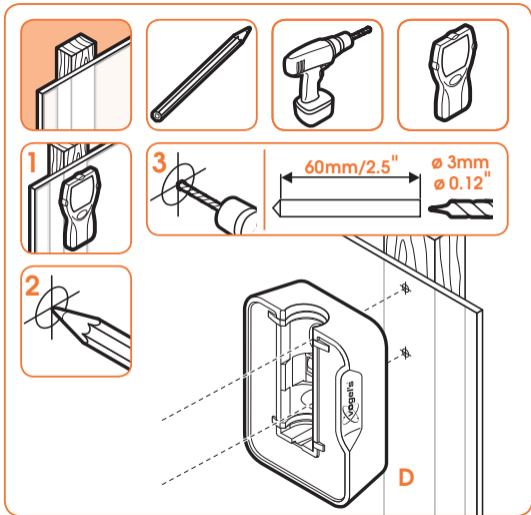


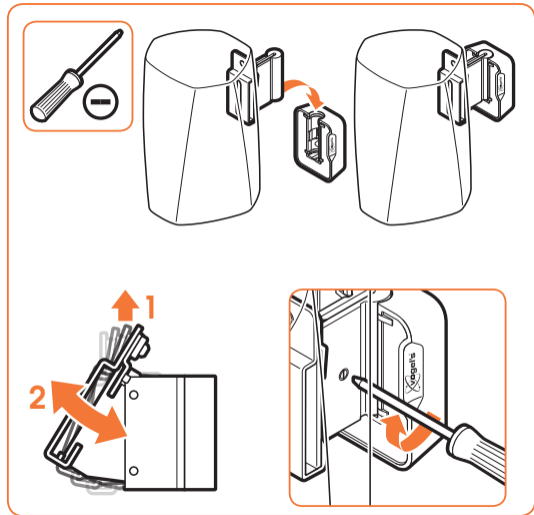
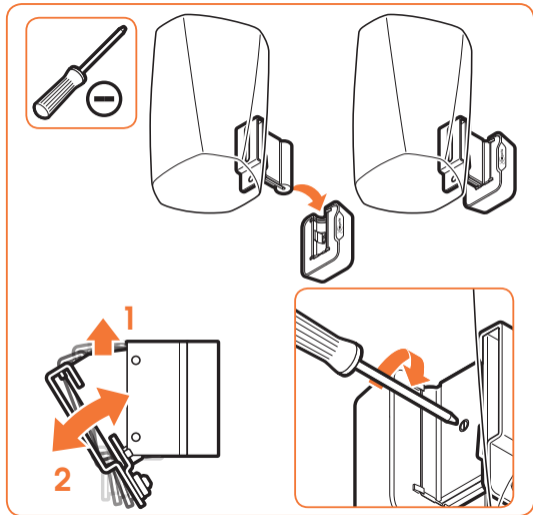
6



7









| expanding experiences

www.vogels.com

Vogel's Holding BV 2016 © All rights reserved