



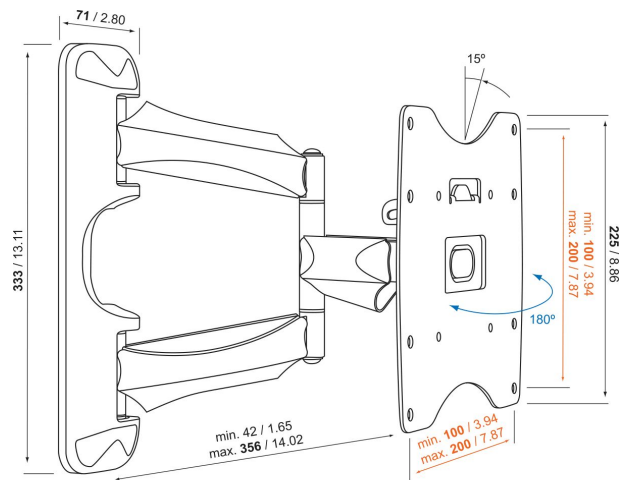
## BASE 45 S Full-Motion TV Wall Mount

### Key Benefits

- Strong and Simple: solid, secure solutions to mount your TV
- Smoothly turn your TV up to 180°
- Tilt (up to 15°) to avoid reflections

### For TVs up to 43 inch (109 cm)

BASE 45 S is a durable TV wall mount, suitable for 19 to 43 inch (48 to 109 cm) TVs weighing up to 20 kg (44 lbs). Extra-wide turn angle for a great view. The BASE 45 S has an extra-wide turn angle of up to 90 degrees left or right. That means you can get the perfect viewing angle from anywhere in the room, and possibly even from adjacent rooms. You can fold it flat against the wall when you're not watching TV, for the best of both worlds.



mm / inch  
Mounting holes in red  
(min - max distance)



## BASE 45 S Full-Motion TV Wall Mount



### Specifications

Min. screen size (inch)	19
Max. screen size (inch)	43
Universal or fixed hole pattern	Fixed
Max. height of interface (mm)	225
Max. width of interface (mm)	236
Max. weight load (kg)	20
Max. weight load (Lbs)	44.09
Turn	Full motion (up to 180°)
Tilt	Tilt up to 15°
Cable management	Integrated cable management
Service position	No
Spirit level included	No
Article number (SKU)	8343145
EAN single box	8712285324208
Colour	Black
Certifications	TÜV
TÜV certified	Yes
Guarantee	Lifetime

VOGEL'S HOLDING BV (©)

All rights reserved.  
Subject to printing errors,  
technical and price  
amendments.

Date: 2025-05-28



**Vogel's.** For Sure.