

PFT 8525 Trolley frame black

Article number (SKU)
Colour

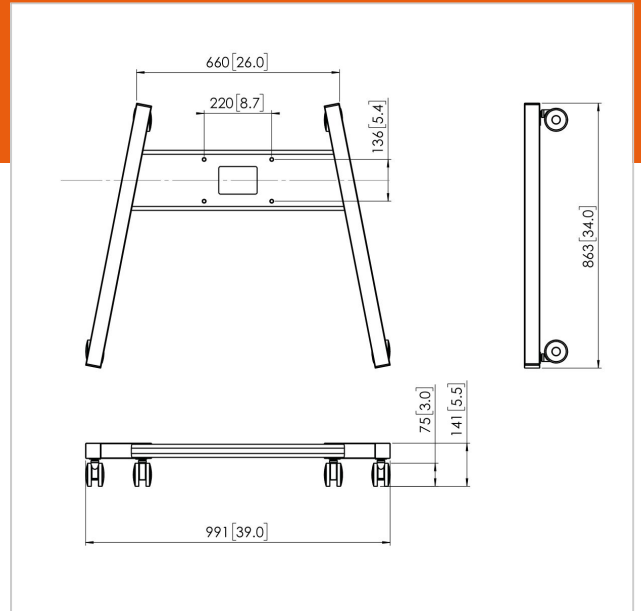
7385250
Black

Key Benefits

- Stylish design

The PFT8525 trolley frame is a part of the modular Connect-it system with which you can create a mobile solution for medium- to large-sized displays..

Vogel's Connect-it floor solutions (floor stands and trolleys) is an uniquely flexible system. With only a few standard components, you can create a solution for almost any requirement. From a single display floor stand in a shop window, a back-to-back display set-up in an airport, to a movable video conferencing set-up for corporate use, the flexible Connect-it floor solutions line fits every situation. Connect-it floor solutions can accommodate displays from small to extra large, weighing up to 160 kg. Connect-it floor modules are available in black and silver to fit any interior décor.





PFT 8525 Trolley frame black

www.vogels.com

VOGEL'S HOLDING BV 2019 (c) All rights reserved.
Subject to printing errors, technical and price amendments.
Date:2020-01-29

Specifications

Product type number	PFT 8525
Article number (SKU)	7385250
Colour	Black
EAN single box	8712285337260
Height	141
Width	991
Depth	863
TÜV certified	Yes
Guarantee	5 years
Max. weight load (kg)	120

