

PUC 2315 Pole 150 cm

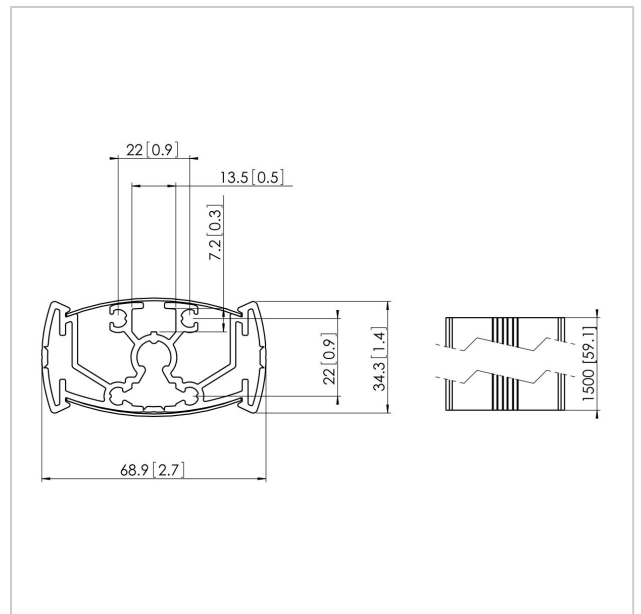
Article number (SKU) 7223154
 Colour Silver

Key Benefits

- Cable management
- Modular

The PUC 2315 is an 150 cm pole and is a part of the modular Connect-it system with which you can create your own ceiling solution for small- to medium-sized displays.

The PUC 2315 is equipped with a double cable duct system with which you can quickly and simply ensure that all cables are concealed. The pole is made of aluminium and, therefore, it can be easily cut at the required length. The Connect-it poles can be easily customised by the user. By sticking on the plastic cover strip on the Connect-it pole or by replacing it by your own strip, it can be adjusted to the house style of the interior. Multiple displays can be installed on top of each other or back-to-back.





PUC 2315 Pole 150 cm

www.vogels.com

VOGEL'S HOLDING BV 2019 (c) All rights reserved.
Subject to printing errors, technical and price amendments.
Date: 2019-05-10

Specifications

Product type number	PUC 2315
Article number (SKU)	7223154
Colour	Silver
EAN single box	8712285317224
Length	1500
TÜV certified	Yes
Guarantee	5 years
Max. weight load (kg)	30
Back-to-back displays	True

