



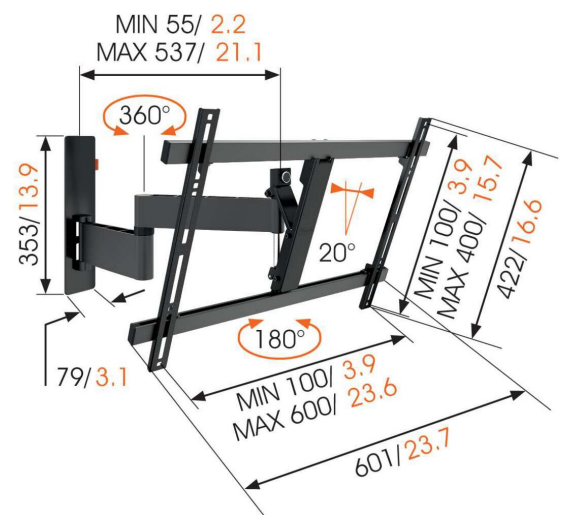
W53080 Full-Motion TV Wall Mount (black)

Key Benefits

- Easily level your TV even after installation
- Guide your cables
- Simply Smart Value: Great comfort for an affordable price
- Smoothly turn your TV up to 180°
- Tilt (up to 20°) to avoid reflections

For large TVs up to 65 inch (165 cm)

The W53080 TV wall mount is suitable for 40 to 65 inch (101 to 165 cm) TVs. It provides safe and secure mounting for TVs up to 30 kg (66 lbs). Watching TV from your favourite places Do you find yourself wanting to watch TV from several places in your room? The W53080 full-motion mount from Vogel's helps you do that. Enjoy your favourite series from the couch at night, and then turn the TV for the perfect view of the morning news at the breakfast table.



mm/inch



W53080 Full-Motion TV Wall Mount (black)

Specifications

Article number (SKU)	8453080
Colour	Black
EAN single box	8712285326929
Product size	L
TÜV certified	Yes
Tilt	Tilt up to 20°
Turn	Full motion (up to 180°)
Guarantee	Lifetime
Min. screen size (inch)	40
Max. screen size (inch)	65
Max. weight load (kg/Lbs)	30 / 66.14
Min. hole pattern	100mm x 100mm
Max. hole pattern	600mm x 400mm
Max. bolt size	M8
Max. height of interface (mm)	422
Max. width of interface (mm)	601
Certifications	TÜV
Max. distance to the wall (mm / inch)	540 / 21.26
Min. distance to the wall (mm / inch)	55 / 2.17
Number of pivot points	3
Universal or fixed hole pattern	Universal

VOGEL'S HOLDING BV (©)

All rights reserved.
Subject to printing errors,
technical and price
amendments.

Date: 2023-01-13



Vogel's. For Sure.