



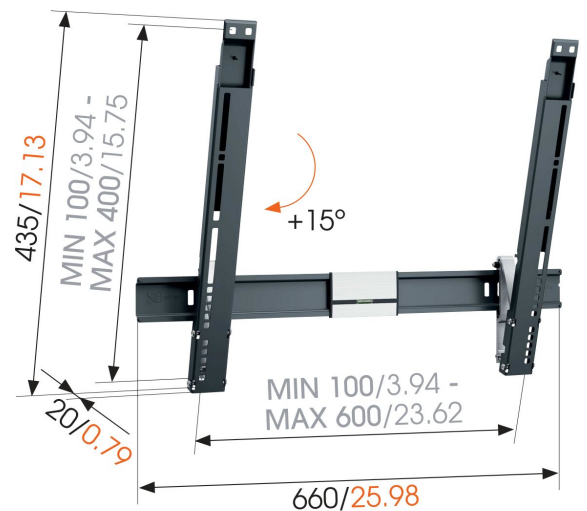
## THIN 515 ExtraThin Tilting TV Wall Mount

### Key Benefits

- Mount your TV only 2 cm from the wall
- Tilt (up to 15°) to avoid reflections
- Install your mount perfectly level: spirit level included!
- Use the app and mark the first drilling hole easily!

### Thin TV bracket with tilting function

The THIN 515 tilting TV bracket has a maximum weight capacity of 25 kg. The THIN 515 is suitable for virtually any model of TV, from 40" to 65" (102-165 cm). The maximum tilt angle is 15°, the distance from the wall is 20 mm. After installation the wall mount is barely noticeable.



mm/inch  
VESA mounting holes



## THIN 515 ExtraThin Tilting TV Wall Mount



### Specifications

Article number (SKU)	8395150
Colour	Black
EAN single box	8712285335006
Product size	L
TÜV certified	Yes
Tilt	Tilt up to 15°
Guarantee	Lifetime
Min. screen size (inch)	40
Max. screen size (inch)	65
Max. weight load (kg/Lbs)	25 / 55.12
Min. hole pattern	100mm x 100mm
Max. hole pattern	600mm x 400mm
Max. bolt size	M8
Max. height of interface (mm)	435
Max. width of interface (mm)	660
Certifications	TÜV
Max. horizontal hole pattern (mm)	600
Max. vertical hole pattern (mm)	400
Min. distance to the wall (mm / inch)	20 / 0.79
Spirit level included	Yes
Universal or fixed hole pattern	Universal

VOGEL'S HOLDING BV (©)

All rights reserved.  
Subject to printing errors,  
technical and price  
amendments.

Date: 2023-01-15



**Vogel's. For Sure.**