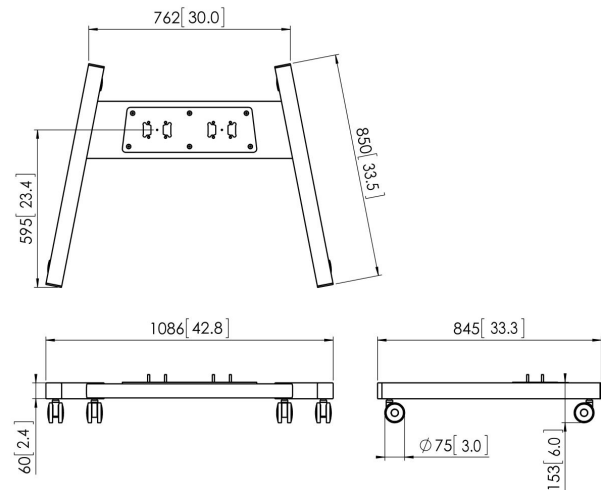




PFT 8530 Trolley Frame (black)

The PFT8530 trolley frame is a part of the modular Connect-it system with which you can create a mobile solution. The double pole construction allows it to be used for large- to extra large-sized displays. The extra stability makes it ideal for interactive displays. The PFA 9126 will automatically be delivered with the PFT 8530





PFT 8530 Trolley Frame (black)

Specifications

Article number (SKU)	7328530
Colour	Black
EAN single box	8712285323942
Height	153
Width	1086
Depth	849
TÜV certified	Yes
Guarantee	5 years

VOGEL'S HOLDING BV (©)

All rights reserved.
Subject to printing errors,
technical and price
amendments.

Date: 2023-01-25



Vogel's. For Sure.