



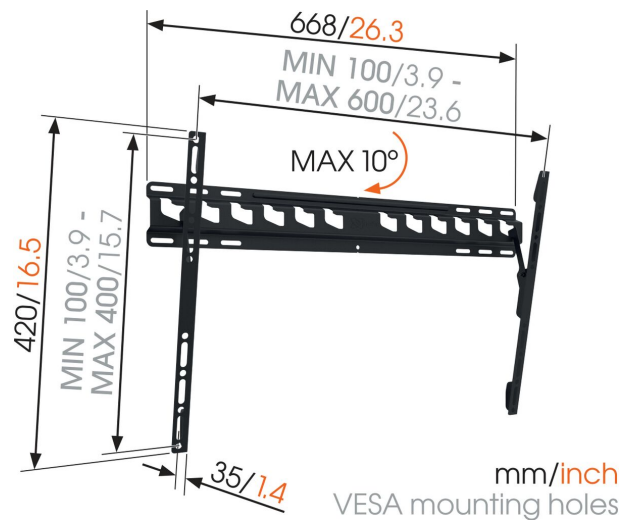
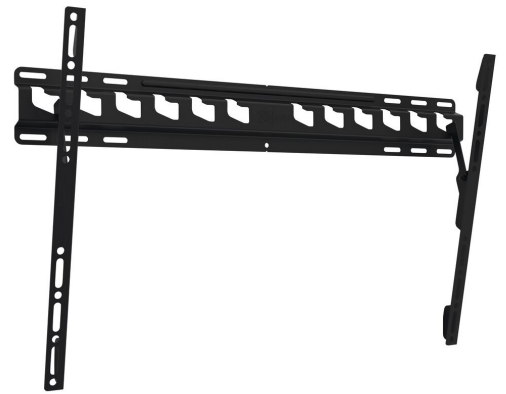
## MA4010 Tilting TV Wall Mount

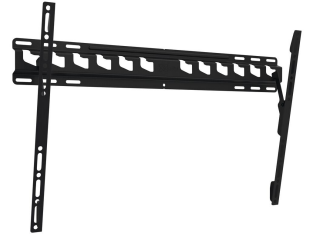
### Key Benefits

- Avoid reflections: tilt up to 10°
- Tested up to 3 times max. TV weight
- Mount your TV exactly where you want it to be
- Easily remove to install your cables
- Reliable quality for an affordable price

### For TVs from 40 up to 80 inch (203 cm)

The MA 4010 is a reliable TV mount suitable for large and heavy TVs. For secure and effortless mounting of TVs up to 60 kg and from 40 to 80 inches.





## MA4010 Tilting TV Wall Mount

# Specifications

Article number (SKU)	8574010
Colour	Black
EAN single box	8712285337147
Product size	L
TÜV certified	Yes
Tilt	Tilt up to 10°
Guarantee	2 years
Min. screen size (inch)	40
Max. screen size (inch)	80
Max. weight load (kg/Lbs)	60 / 132.28
Min. hole pattern	100mm x 100mm
Max. hole pattern	600mm x 400mm
Max. bolt size	M8
Max. height of interface (mm)	420
Max. width of interface (mm)	668
Certifications	TÜV
Min. distance to the wall (mm / inch)	35 / 1.38
Universal or fixed hole pattern	Universal

VOGEL'S HOLDING BV (©)

All rights reserved.  
Subject to printing errors,  
technical and price  
amendments.

Date: 2023-01-13



**Vogel's.** For Sure.