

## PLA 8309 LED interface middle, 1 pc

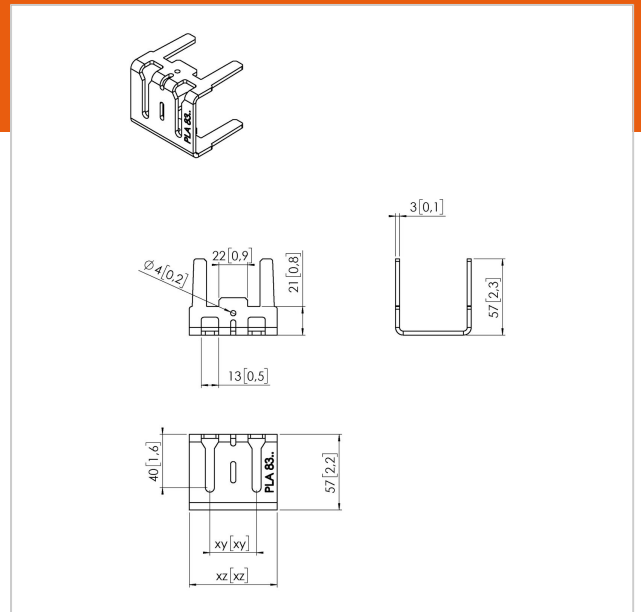
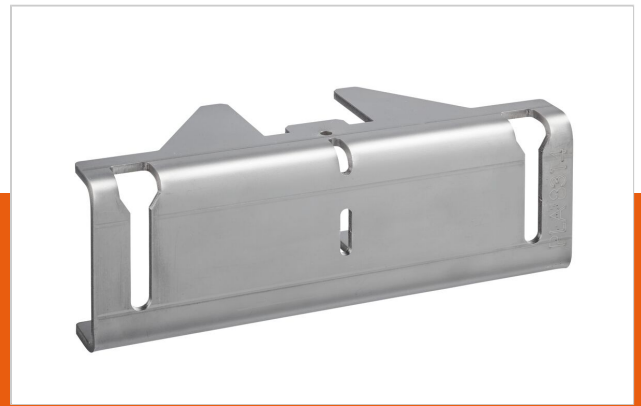
Article number (SKU)  
Colour

7183094  
Stainless Steel

### Key Benefits

- Easy to install

The PLA 8309 is a custom made and can be used in the middle of the LED video wall. The dimensions of the bracket differ per LED-tile model.





## PLA 8309 LED interface middle, 1 pc

[www.vogels.com](http://www.vogels.com)

VOGEL'S HOLDING BV 2019 (c) All rights reserved.  
Subject to printing errors, technical and price amendments.  
Date: 2019-08-09

## Specifications

Product type number	PLA 8309
Article number (SKU)	7183094
Colour	Stainless Steel
EAN single box	8712285339967
TÜV certified	Yes
Guarantee	5 years

