

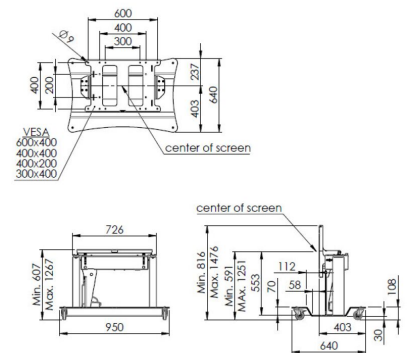


## S062.7665 Height Adjustable Tilting Table Lift

### Key Benefits

- Continuous smooth tilt
- Cable remote control
- Anti-collision on the display lift prevents damage

This Tip & Touch stand is specially designed for (interactive) displays up to 75 inch, with a maximum weight of 95 kg. This stand increases the functionality and convenience of your interactive display. The stand features a 90-degree tilt function that allows you to easily and safely move your display from a vertical to a horizontal position.





## S062.7665 Height Adjustable Tilting Table Lift



# Specifications

Motorized	Yes
Remote controlled	Yes
Min. screen size (inch)	32
Min. screen size (inch)	32
Max. screen size (inch)	75
Max. screen size (inch)	75
Min. horizontal hole pattern (mm)	300
Max. horizontal hole pattern (mm)	600
Min. vertical hole pattern (mm)	200
Max. vertical hole pattern (mm)	400
Max. weight load (kg)	95
Max. weight load (Lbs)	209,44
Height adjustment (mm)	660
Anti Collision safety mechanism	Yes
Article number (SKU)	S062.7665
EAN single box	8718868874351
Colour	Black
Certifications	CE
TÜV certified	No
Guarantee	5 years

VOGEL'S HOLDING BV (©)

All rights reserved.  
Subject to printing errors,  
technical and price  
amendments.

Date: 2024-10-28