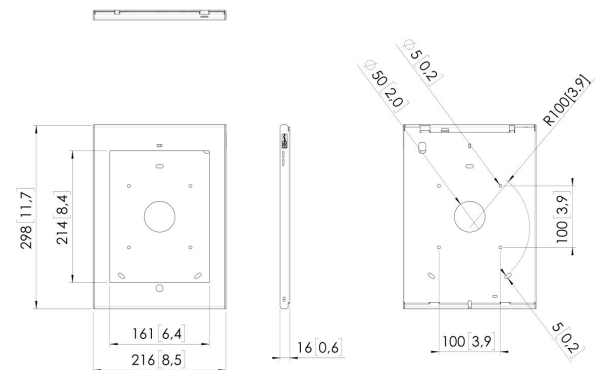




PTS 1228 Tablet Holder for iPad Pro 10.5 (2018) & iPad Air 10.5 (2019)

Made out of high quality aluminium and steel we designed a stylish and slim enclosure which protects the iPad in public environments. The Secure TabLock iPad enclosure can be mounted directly to the wall, or via de VESA 100x100 mm mounting holes to any Vogel's VESA compatible mounts. Quick and easy opening of the secure TabLock enclosure is possible thanks to the new unique locking mechanism using a key and lock. Vogel's Professional regularly develops new Tablocks, please check our website for the latest information.





PTS 1228 Tablet Holder for iPad Pro 10.5 (2018) & iPad Air 10.5 (2019)



Specifications

Article number (SKU)	7495374
EAN single box	8712285338502
Height	298
Width	216
Depth	16
Guarantee	5 years
Desk options	Fixed table mount Fixed table stand Free-standing table stand
Lockable	True
Tablet Brand and Model(s)	Apple iPad Pro 10.5 inch (2018) & iPad Air 10.5 (2019)
Tablet Home button	Hidden or Accessible Hidden

VOGEL'S HOLDING BV (©)

All rights reserved.
Subject to printing errors,
technical and price
amendments.

Date: 2023-01-22