

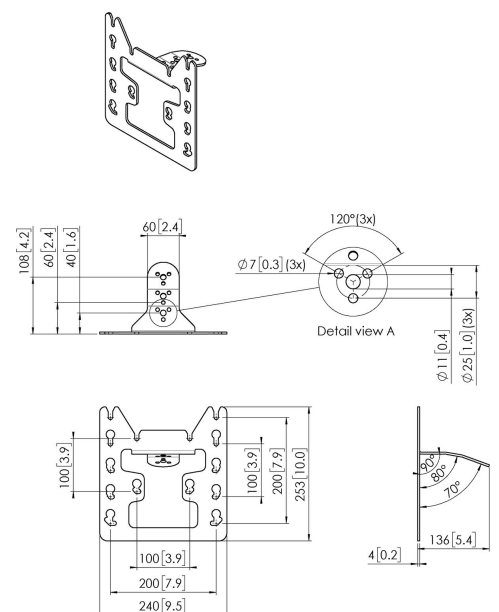


## PFI 3045 Interface VESA 200x100/200x200

### Key Benefits

- Post-installation levelling
- Tilt function in steps

The PFI 3045 display interface is a part of the modular Connect-it system.





## PFI 3045 Interface VESA 200x100/200x200



# Specifications

Min. screen size (inch)	19
Max. screen size (inch)	43
Min. horizontal hole pattern (mm)	100
Max. horizontal hole pattern (mm)	200
Min. vertical hole pattern (mm)	100
Max. vertical hole pattern (mm)	200
Max. height of interface (mm)	253
Max. width of interface (mm)	240
Max. weight load (kg)	30
Max. weight load (Lbs)	66.14
Tilt	Tilt up to 20°
Height	253
Width	240
Depth	140
Article number (SKU)	7230450
EAN single box	8712285343889
Colour	Black
Certifications	TÜV
TÜV certified	Yes
Guarantee	5 years

VOGEL'S HOLDING BV (©)

All rights reserved.  
Subject to printing errors,  
technical and price  
amendments.

Date: 2025-05-28



**Vogel's.** For Sure.