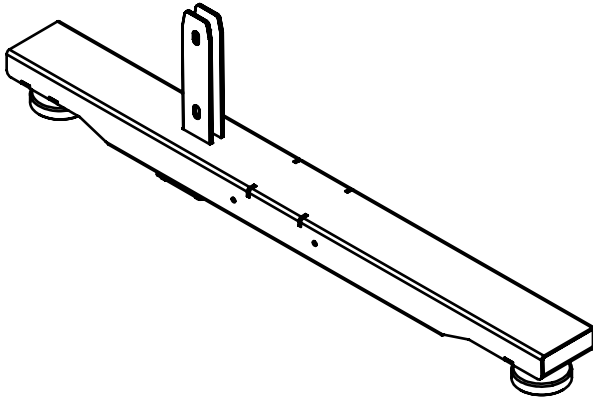


Product data sheet

PFF 7920

Dimensions in mm [inch]



Mounting kit:

- 2x Mortice Cover M8
- 2x Shoulderbolt M10x40 Low Neck
- 2X DIN933 Hexagon nut M10
- 2x Washer M10x27x2

