



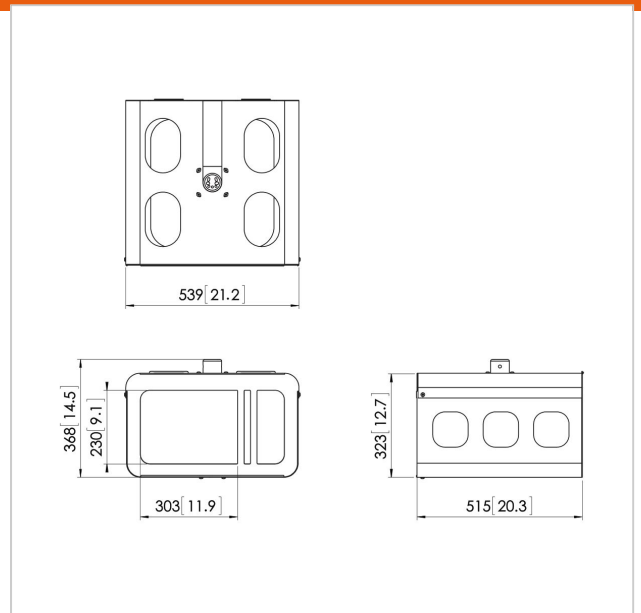
## PPA 320 Projector anti theft housing

Article number (SKU)  
Colour

7093204  
Silver

Vogel's Professional introduces a new range of projector anti-theft housings for the new PPC 1000 and PPC 2000 series projector mounts. The PPA 310 is an anti-theft housing for small-medium sized projectors, while the PPA 320 is designed for the bigger size projectors. Both offer maximum protection to projectors in schools and public environment. Max. projector size 510 x 460 x 180 mm (W x D x H)

The new projector housings are especially designed to prevent theft of mounted projectors and fit on our modular PUC21xx ceiling tubes. The new design also makes it possible to mount the housing directly to the ceiling. The housings are designed in such a way that servicing to the projector is quick and easy. Large openings on the top and bottom of the housing allow easy access to the projector for service and maintenance. Large ventilation openings offer sufficient cooling to prevent the projector from overheating. After installing the projector to the ceiling it can be aligned. After final alignment the housing can be closed with special anti-theft screws. Additionally a padlock and/or a bolt-nut can be added for double security.





## PPA 320 Projector anti theft housing

[www.vogels.com](http://www.vogels.com)

VOGEL'S HOLDING BV 2019 (c) All rights reserved.  
Subject to printing errors, technical and price amendments.  
Date: 2019-05-14

## Specifications

Product type number	PPA 320
Article number (SKU)	7093204
Colour	Silver
EAN single box	8712285322723
Height	323
Width	539
Depth	515
Guarantee	5 years

