



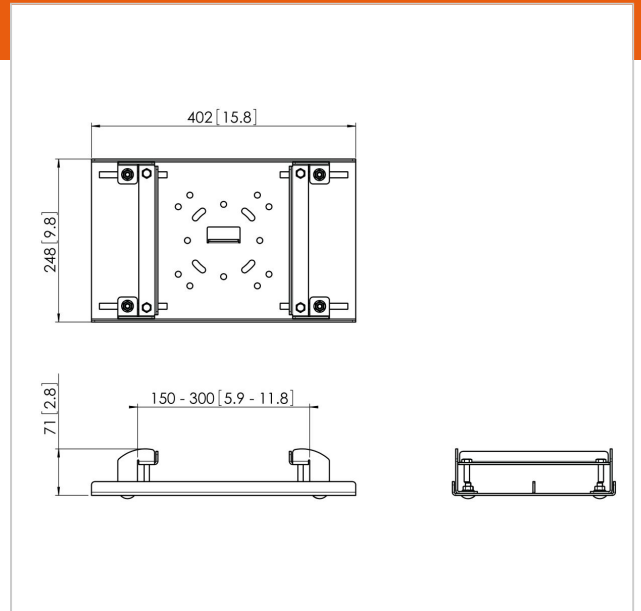
PUA 9506 Girder / H-beam clamp 150-300 mm

Article number (SKU)
Colour

7295084
Black

The PUA 9506 is part of the modular Vogel's display/projector mounting system which enables you to easily create your own (H-beam/girder) mounting solutions for medium- to large-sized displays.

The PUA 9506 is designed for mounting flat displays and projectors on Girder/H-beams without drilling. The PUA 9506 is suitable for girders with a width between 140 mm and 310 mm. The PUA 9506 needs to be used in combination with the ceiling plates (PUC 1011 / 1035 / 1060 / 1065 / 1070 / 1080) and the PUC 21xx, PUC 23xx, PUC 25xx poles.





PUA 9506 Girder / H-beam clamp 150-300 mm

www.vogels.com

VOGEL'S HOLDING BV 2019 (c) All rights reserved.
Subject to printing errors, technical and price amendments.
Date:2019-05-15

Specifications

Product type number	PUA 9506
Article number (SKU)	7295084
Colour	Black
EAN single box	8712285319464
TÜV certified	Yes
Guarantee	5 years
Max. weight load (kg)	80
Ceiling types	Girder, H-beam
H-beam size	150-300 mm
Height options	Fixed height Manually adjustable height
Max. distance to ceiling - center display (mm)	21
Min. distance to ceiling - center display (mm)	21

