

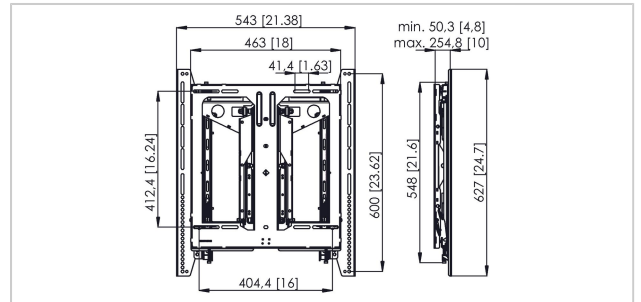


## PFW 6885 Display video wall module pop-out portrait

Article number (SKU) 7368850  
Colour Black

The PFW 6885 is an adjustable pop-out video-wall module for displays in portrait position. The PFW 6885 can be used for displays up to 45.5kg with mounting patterns from 200 x 200 up to 400 x 600 mm. It features multi-monitor stacking, spring-loaded release, open design, custom spacers, top adjustable mounting brackets and straight scissor-style extension.

Optional dedicated spacers dramatically reduce installation time. Spacers are available for the most used video wall displays or monitors.





## PFW 6885 Display video wall module pop-out portrait

[www.vogels.com](http://www.vogels.com)



VOGEL'S HOLDING BV 2019 (c) All rights reserved.  
Subject to printing errors, technical and price amendments.  
Date:2019-07-09

## Specifications

Product type number	PFW 6885
Article number (SKU)	7368850
Colour	Black
EAN single box	8712285334023
Depth	130
Guarantee	5 years
Max. height of interface (mm)	627
Max. width of interface (mm)	497
Max. screen size (inch)	65
Min. distance to the wall (mm)	50
Min. screen size (inch)	37
Orientation	Portrait
Service position	Yes

