

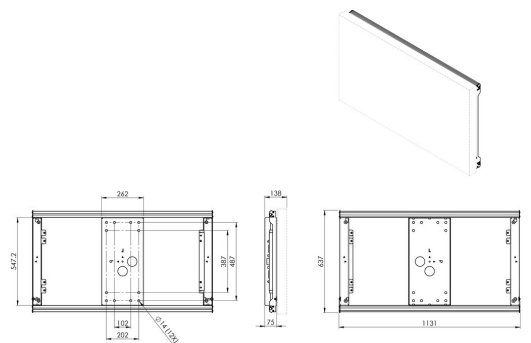


POW 1601 Outdoor Wall Mount for LG 49XE4F

Key Benefits

- Anti-corrosion treatment for outdoor
- Theft prevention
- Portrait and landscape position
- Stylish design
- Quick and easy installation

With Vogel's POW 1601 outdoor wall mount for the LG 49XE4F you can easily install the LG outdoor display on any suitable outdoor wall, in either the portrait or landscape position.





POW 1601 Outdoor Wall Mount for LG 49XE4F

Specifications

Article number (SKU)	7216010
Colour	Black
EAN single box	8712285351921
Height	637
Width	1131
Depth	75
TÜV certified	Yes
Guarantee	5 years
Min. screen size (inch)	49
Max. screen size (inch)	49
Max. weight load (kg/Lbs)	35 / 77.16
Max. height of interface (mm)	637
Max. width of interface (mm)	1131
Max. screen size (inch)	49
Min. distance to the wall (mm / inch)	75 / 2.95
Min. screen size (inch)	49
Orientation	Landscape / Portrait
Universal or fixed hole pattern	Fixed

VOGEL'S HOLDING BV (©)

All rights reserved.
Subject to printing errors,
technical and price
amendments.

Date: 2023-01-26



Vogel's. For Sure.