

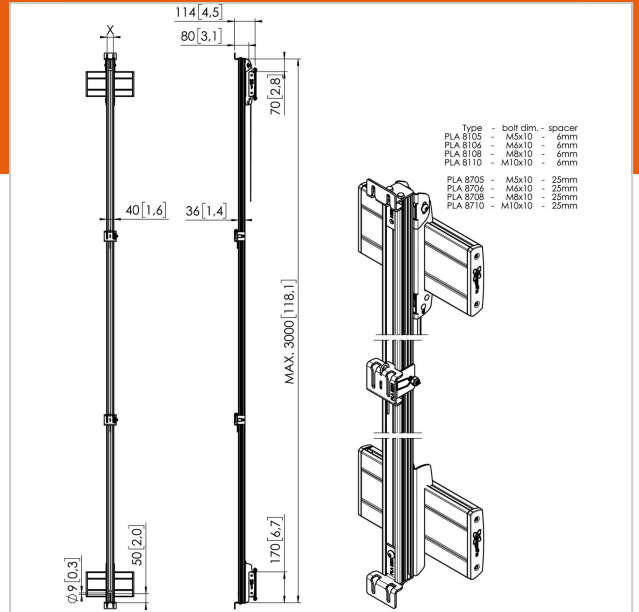


PLA 8108 LED mounting bolts m8, 4 pcs

Article number (SKU)
Colour

7181084
Stainless Steel

The PLA 8108 LED mounting bolts, in size m8, will be supplied per 4 pcs and can be used in order to install the LED tiles on the LED interfaces (PLA 82xx and PLA 83xx). On the bottom row of the video wall you will need 4 bolts per LED tile. On each rows above you will need 2 bolts per LED tile.





PLA 8108 LED mounting bolts m8, 4 pcs

www.vogels.com

VOGEL'S HOLDING BV 2019 (c) All rights reserved.
Subject to printing errors, technical and price amendments.
Date: 2019-05-15

Specifications

Product type number	PLA 8108
Article number (SKU)	7181084
Colour	Stainless Steel
EAN single box	8712285339028
TÜV certified	Yes
Guarantee	5 years

