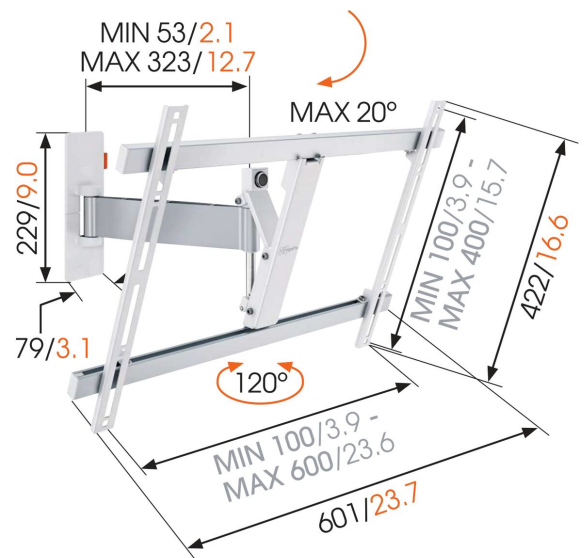




## WALL 2325 Full-Motion TV Wall Mount (white)

### For large TVs up to 65 inch (165 cm)

The WALL 2325 TV wall mount is suitable for 40 to 65 inch (101 to 165 cm) TVs. It provides safe and secure mounting for TVs up to 30 kg (66 lbs). Get the perfect viewing angle. Place a TV in a handy spot on the wall or in a corner of your bedroom, dining room or a kid's room with the WALL 2325 TV wall mount. Easily swing your TV away from the wall and tilt it up or down for the perfect view.



mm/inch  
VESA mounting holes



## WALL 2325 Full-Motion TV Wall Mount (white)

# Specifications

Article number (SKU)	8352081
Colour	White
EAN single box	8712285325502
Product size	L
Tilt	Tilt up to 20°
Turn	Motion (up to 120°)
Guarantee	Lifetime
Min. screen size (inch)	40
Max. screen size (inch)	65
Min. hole pattern	100mm x 100mm
Max. hole pattern	600mm x 400mm
Max. bolt size	M8
Max. height of interface (mm)	422
Max. width of interface (mm)	601
Certifications	TÜV
Max. distance to the wall (mm / inch)	320 / 12.60
Min. distance to the wall (mm / inch)	55 / 2.17
Universal or fixed hole pattern	Universal

VOGEL'S HOLDING BV (©)

All rights reserved.  
Subject to printing errors,  
technical and price  
amendments.

Date: 2023-01-27