

## FVW2255 Video wall floor stand 2x2

Article number (SKU) 7922550  
 Colour Black

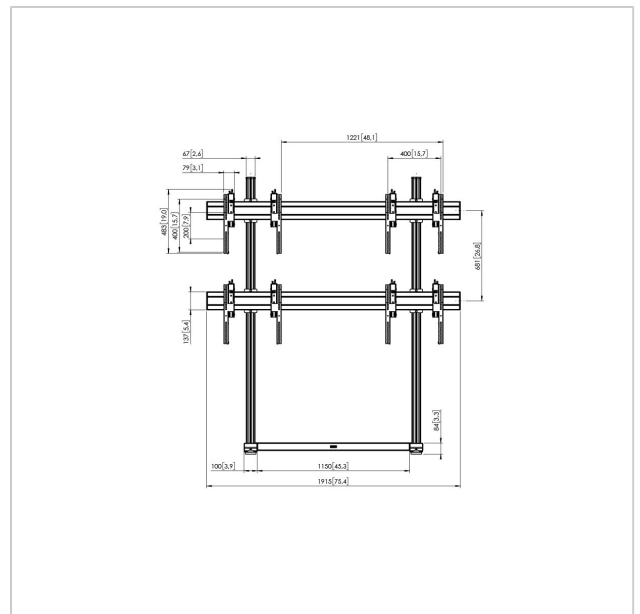
### Key Benefits

- Easy to install and maintain
- Quick to install
- Easy to align on X-Y-Z axis
- Solution for every configuration
- TÜV-5 certified

**Would you like to place your 2x2 video wall in a freestanding environment? Vogel's has put together a complete kit for a professional floor stand solution. This video wall floor stand kit is suitable for 55 inch (1397 mm) LCD displays with a maximum weight of 80 kg (176 lb) / display. This modular system is quick and easy to install. Combine the floor stand base and crossbar with the PUC 29 poles, display interface plates and display interface strips to create your perfect video wall. With the specially designed (3D) interface strips, you can easily align any screen on the X, Y and Z axis. Even after installation, the screens remain easily accessible for maintenance purposes. Video wall floor stand 2x2**

Display size: 55 inch (1397 mm) Mounting: 1935 mm x 400 mm (76 inch x 15.7 inch) Max. weight: 80 kg (176 lb) / display Kit contains: • 2x PFF 7920, Video wall floor stand base • 1x PFA 9129, Crossbar, 1150 mm • 2x PUC 2920 Pole 2000 mm • 2x PFB 3419 Display interface bar • 4x PFS 3504 Display interface strip 3D

Precision with ease for a seamless installation When you are unable to install your 2x2 video wall on the wall, Vogel's offers the solution to mount your video wall using a floor stand solution. This is possible with the modular Connect-it system. Combine the floor stand base and crossbar with Connect-it PUC 29 poles, one or more display interface plates and display interface strips to create a perfect and seamless video wall. With ease of installation in mind, Vogel's has designed a unique, adjustable floor stand. This floor stand makes it possible to install a PUC 29 pole perfectly vertically. This floor stand also has adjustable feet that make it possible to position your floor stand perfectly horizontal. How easy is that? The display interface strips used when mounting video walls have maximum adjustability and can be adjusted in three directions (3D). These 3D display interface strips can be used to create an absolutely perfect and seamless video wall. Smart design makes maintenance simple The built-in service





## FVW2255 Video wall floor stand 2x2

[www.vogels.com](http://www.vogels.com)



VOGEL'S HOLDING BV 2019 (c) All rights reserved.  
Subject to printing errors, technical and price amendments.  
Date:2020-09-10

## Specifications

Product type number	FVW2255
Article number (SKU)	7922550
Colour	Black
EAN single box	8712285338526
Height	2091
Width	1915
Depth	1000
TÜV certified	Yes
Guarantee	5 years
Max. weight load (kg)	80
Max. horizontal hole pattern (mm)	1935
Max. screen size (inch)	55
Max. vertical hole pattern (mm)	400
Min. screen size (inch)	46

