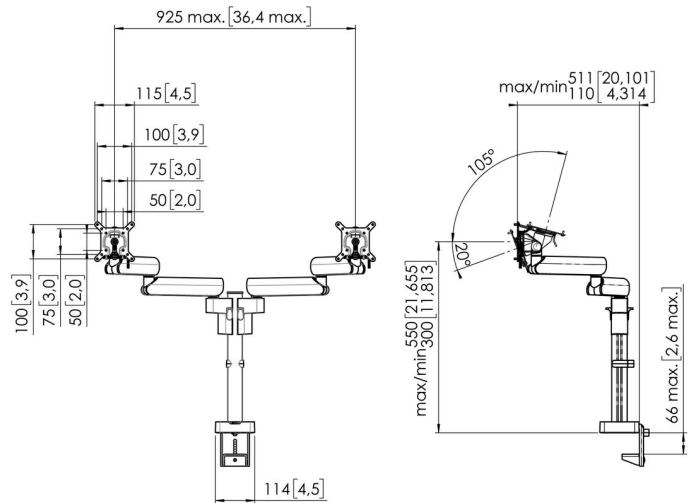




## MOMO 2237 Monitor Arm Motion for 2 monitors (black)

Article number (SKU): 7122370  
Colour: Black



### Tender specifications

BRAND AND PRODUCT; Vogel's MOMO MOTION 2237; Monitor Mount on a pole; colour: black/white; suitable for two monitors MARKET SEGMENTATION: Monitor Mounts ideal for use in a school, meeting room, lobby or boardroom; offices; market segment education; corporate; retail; hospitality SUITABLE FOR: Suitable for monitors with a max width of 925mm; Max. weight of monitor 10 kg/22 lbs per monitor; MATERIALS: adjustable arms aluminium; asa cover caps according to RoHs guidelines; FEATURES: TÜV-3 tested; endurance test of at least 10,000 cycles; FIRA; IGR; warranty 10 years; easy installation from the top of the desk; universal interface suitable for any brand of monitors with a max width of 925mm; weighing up to 10 kg / 22 lbs per monitor; 3 pivot points; on/through desk; 250 mm height adjustment; Max height center monitor 550 mm; Thickness desk 66 mm; VESA size; 50x50/75x75/100x100; sivel 180; rotate 90/90; tilt -20/+105; rotation stop yes; environment-friendly packaging entirely without EPP I EPS; special MOMO accessories and components available for MOMO Monitor Mounts; TECHNICAL SPECIFICATIONS: Min. VESA 50x50mm Max. VESA 100x100; Height adjustment 250mm; Rotation stop yes; Mounting possibilities on or through desk; Adjustable height 250 mm; Max weight load per monitor 10kg/22 lbs; TUV-3 certified; MOMO Motion; LOGISTICS INFORMATION: box dimensions (mm) 737 x 267 x 135 (LxWxH); gross weight 8,4 kg / 18,52 lbs (warehouse) 9; PRODUCT PROPOSITION: Vogel's MOMO The Monitor Mount that works everywhere; Vogel's Products BV.



**Article number (SKU): 7122370**  
**Colour: Black**

### **Key Benefits**

- Height Adjustable
- Suitable for one, two or a whole series of monitors
- Easy install
- Flexible modular system
- TÜV certified / 10-year guarantee

The ergonomic monitor arm for every workplace The MOMO 2237 is a monitor arm specially designed for two height-adjustable monitors. The monitor arm is suitable for monitors up to 34 inches and weighing up to 20 kg.



Sustainability is a key component of the MOMO Series. Vogel's offers an endurance tested design of the Monitor Mounts of over 10,000 cycles. No EPP I EPS is used in the packaging. Packaging is 100% recyclable.

VOGEL'S HOLDING BV (©)

All rights reserved.

Subject to printing errors, technical and price amendments.

Date: 2024-03-26