

**Required tools:** Plumb Rule / leveller

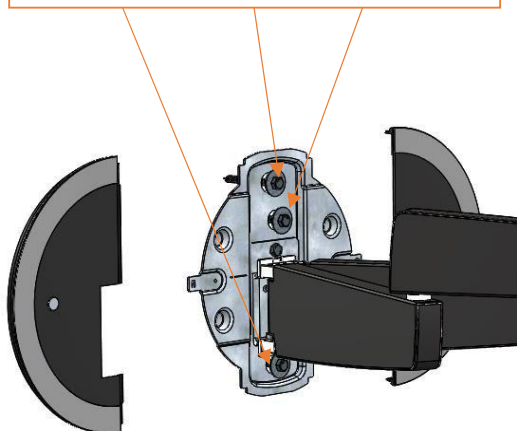
**Note:** When measuring vertically the water bubble needs to stay between the two black lines. The more the bubble is in the middle, the straighter the surface is.



First; extend the motionmount and place the leveller horizontally across the arms. Check if the bubble is in between the lines.



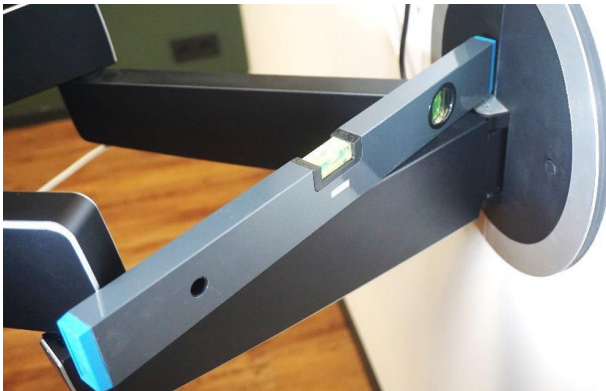
Loosen 1 turn to level the Motion(Sound)Mount horizontally



If the bubble is not between the lines:

- Remove wall plate covers
- Loosen (two rotations) the top two and the bottom screw
- Rotate Motion(Sound)Mount until the bubble is in the middle of the lines
- Tighten the loose screws and place back the wall plate covers

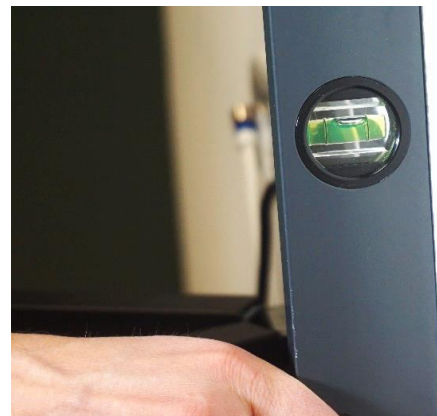
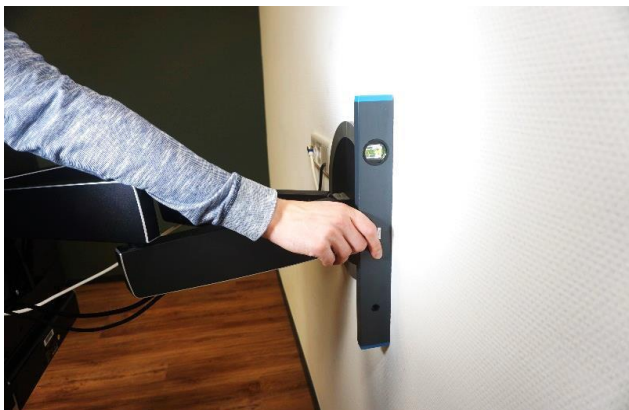
The next step is placing the leveller over the length of one of the arms closest to the wall plate. Check the leveller to see if the bubble is in between the lines.



TIPS!

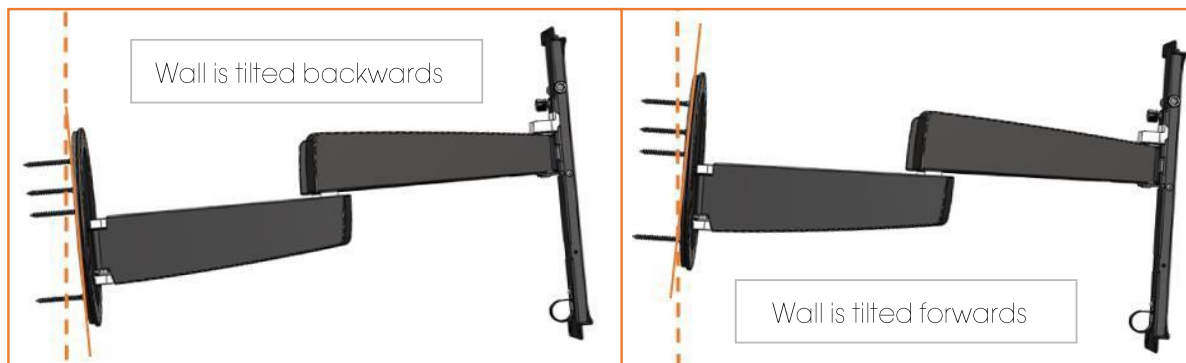


If the leveller is not between the lines, please check the wall. The wall can be checked by placing the leveller vertically against the wall next to the Motion(Sound)Mount. When placing the MotionMount against a wall which is not made off bricks, additional steps could be needed.

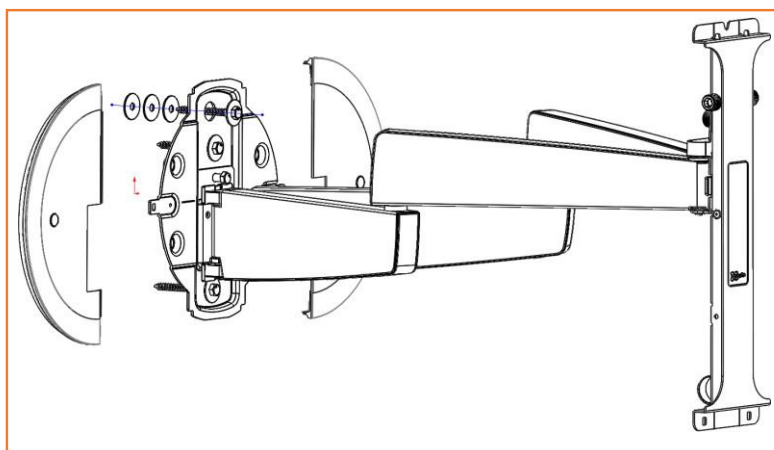


If the MotionMount is tilted backwards, this could be because the wall is tilted backwards (top pictures). This can be solved by placing washers between wall and the wall plate around the top screw.

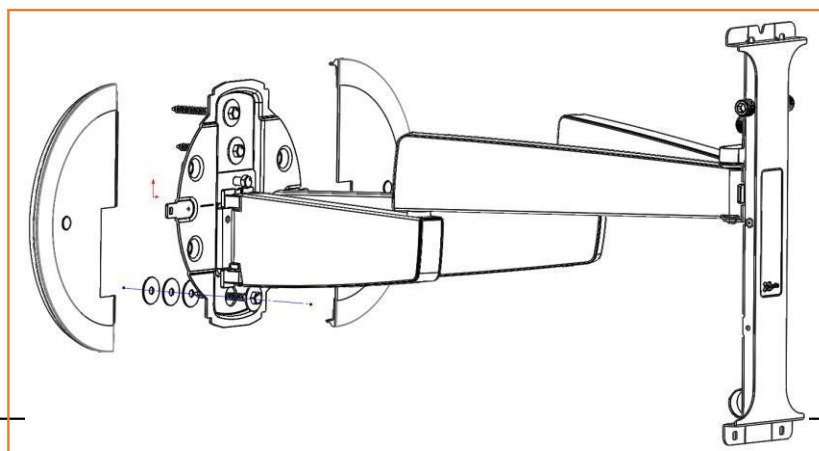
If the MotionMount is tilted forwards this could be because the wall is tilted forwards (bottom pictures). This can be solved by placing washers between wall and the wall plate around the bottom screw.



As shown on the right, placing the washers behind the wall plate of the top screw levels the Motion(Sound)Mount when the wall is tilted backwards.



As shown below, placing the washers behind the wall plate of the bottom screw levels the Motion(Sound)Mount when the wall is tilted forwards.



This is not only a solution for a slanting wall. If the Motion(Sound)Mount is tilted forwards for whatever reason, placing washers behind the bottom screws will level it.

## Adjusting the TV

the last step is to check and correct the TV levelling. To check this, hold the leveller against the border around the TV screen.



If the TV is not levelled, the knob on the back of the TV interface allows adjustment of the vertical level of the TV





## Adjusting the TV

the last step is to check and correct the TV levelling. To check this, hold the leveller against the border around the TV screen.



If the TV is not levelled, the knob on the back of the TV interface allows adjustment of the horizontal level of the TV

