



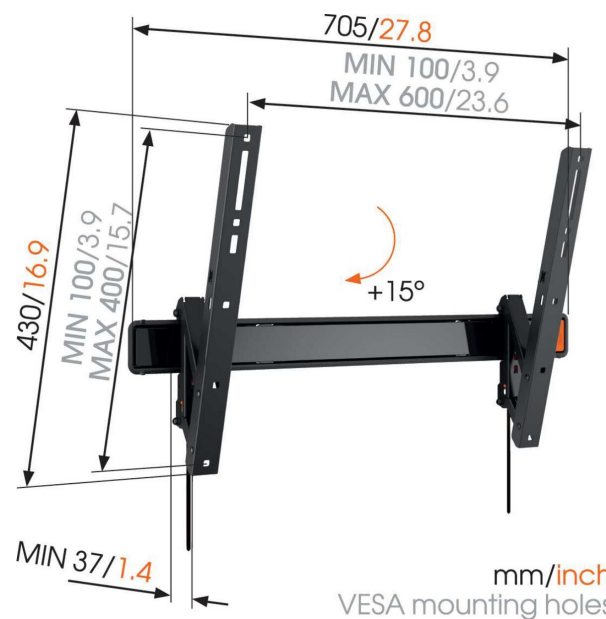
W50810 Tilting TV Wall Mount

Key Benefits

- Lock your TV securely in place
- Simply Smart Value: Great comfort for an affordable price
- Tilt (up to 15°) to avoid reflections

For large TVs up to 65 inch (165 cm)

The W50810 TV wall mount is suitable for 40 to 65 inch (101 to 165 cm) TVs. It provides safe and secure mounting for TVs up to 40 kg (88 lbs). Make room by mounting your TV high on the wall. Want to avoid having to squeeze past your TV? Mount it higher on the wall with the W50810 TV wall mount. The higher position also helps you reduce reflections and prevents children or pets from getting to it. A TV wall mount with tilt function makes for comfortable viewing, even if it is mounted high up.





W50810 Tilting TV Wall Mount

Specifications

Article number (SKU)	8450810
Colour	Black
EAN single box	8712285330162
Product size	L
TÜV certified	Yes
Tilt	Tilt up to 15°
Guarantee	Lifetime
Min. screen size (inch)	40
Max. screen size (inch)	65
Max. weight load (kg)	40
Min. hole pattern	100mm x 100mm
Max. hole pattern	600mm x 400mm
Max. bolt size	M8
Max. height of interface (mm)	430
Max. width of interface (mm)	705
Min. distance to the wall (mm)	37
Spirit level included	Yes
Universal or fixed hole pattern	Universal

VOGEL'S HOLDING BV (c)

All rights reserved.
Subject to printing errors,
technical and price
amendments.

Date: 2021-12-07



Vogel's. For Sure.