



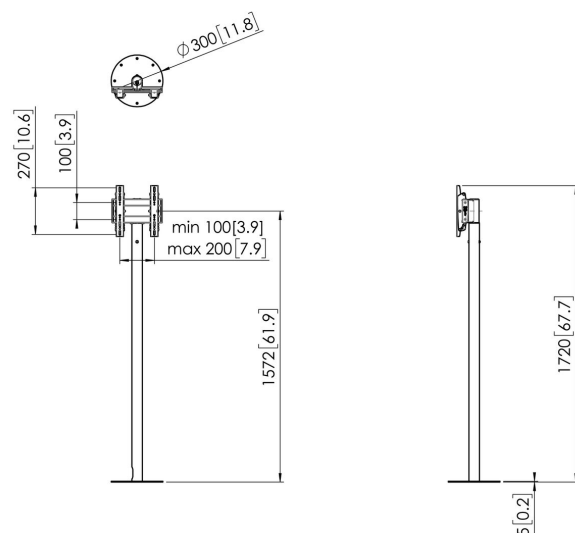
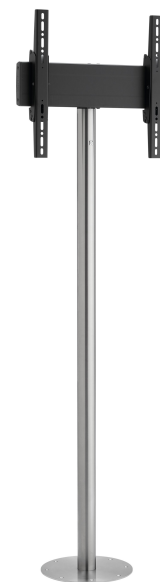
## FM1622RVS Display Floor Stand, fixed to floor

### Key Benefits

- Stylish high-end design
- Modular
- Cable management

### Floor mounting stand kit FM1622

Display size: 43" Fitment: 200x200 Max load: 40 kg / 88 lbs Kit consists of: • 1x PFA 9155 Display floor mounting stand • 1x PFA 9148 Turn unit display floor stand • 1x PFB 3402 Interface bar • 1x PFS 3302 Interface display strip





## FM1622RVS Display Floor Stand, fixed to floor

# Specifications

|  |                 |
|--|-----------------|
| Article number (SKU)                         | 7952044         |
| Colour                                       | Stainless Steel |
| EAN single box                               | 87 12285354922  |
| Height                                       | 1600            |
| Width  | 300             |
| Depth  | 300             |
| TÜV certified                                | Yes             |
| Tilt   | Tilt up to 20°  |
| Guarantee                                    | 5 years         |
| Max. weight load (kg/Lbs)                    | 40 / 88.18      |
| Max. bolt size                               | M8              |
| Max. height of interface (mm)                | 295             |
| Max. width of interface (mm)                 | 290             |
| Max. distance to floor - center display (mm) | 1572            |
| Max. horizontal hole pattern (mm)            | 200             |
| Max. screen size (inch)                      | 55              |
| Max. vertical hole pattern (mm)              | 200             |
| Min. horizontal hole pattern (mm)            | 100             |
| Min. screen size (inch)                      | 19              |
| Min. vertical hole pattern (mm)              | 100             |

VOGEL'S HOLDING BV (©)

All rights reserved.  
Subject to printing errors,  
technical and price  
amendments.

Date: 2023-01-29



**Vogel's.** For Sure.