



PPL 2035 Projector lift system

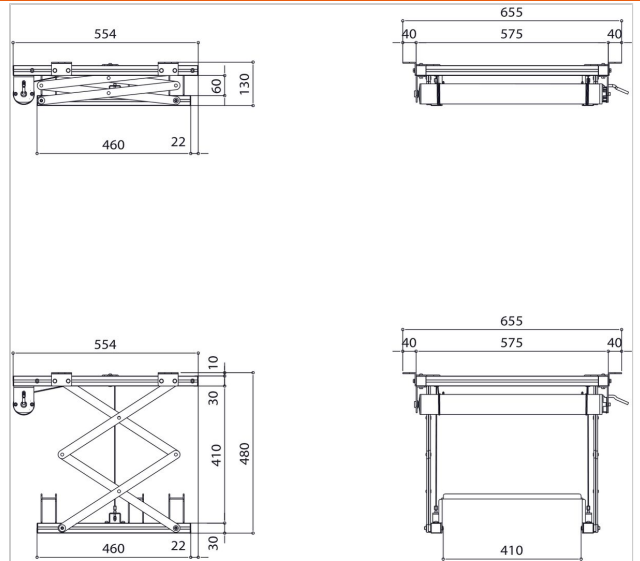
Article number (SKU)
Colour

7020354
Silver



The PPL 2035 projector lift system is the perfect solution for the integration of a projector into a ceiling where an aesthetical solution is required. Not only is the projector neatly hidden, it is also theft delaying. The lifts runs silently and offers two adjustable positions: top and show.

This lift has been developed to be installed inside a false ceiling where very few space is available. Inside the false ceiling only a minimum height of 13 cm is required to install lift and projector. The motor allows a drop of 35 cm. The maximum weight capacity of the projector lift is 15 kg. The PPL 2035 is supplied with extendable side brackets in order to position the ceiling tile exactly in the ceiling tile grid. The lift is equipped with two safety screws that prevent the lift to extent further to the preset end stop. This lift is also available as a 120 V, 60 Hz version.





PPL 2035 Projector lift system

www.vogels.com

VOGEL'S HOLDING BV 2019 (c) All rights reserved.
Subject to printing errors, technical and price amendments.
Date:2019-05-16

Specifications

Product type number	PPL 2035
Article number (SKU)	7020354
Colour	Silver
EAN single box	8712285338342
Width	567
Depth	554
TÜV certified	Yes
Guarantee	2 years
Guarantee electrical parts	2 years
Max. weight load (kg)	15
Average power consumption (W)	156
Max. distance to ceiling (mm)	480
Min. distance to ceiling (mm)	130
Voltage	220 V, 50 Hz 230 V, 50 Hz

