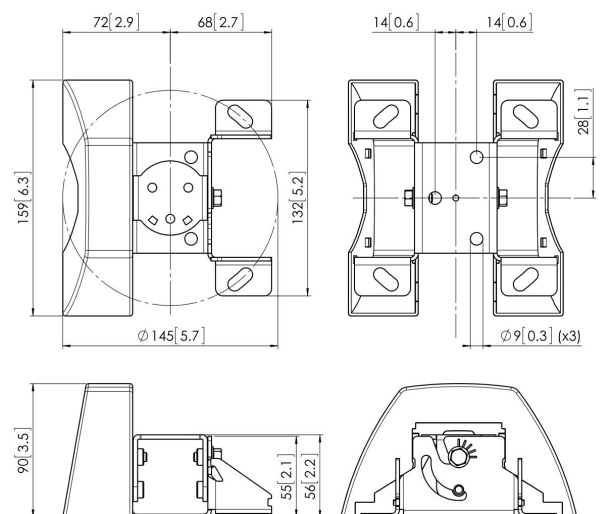
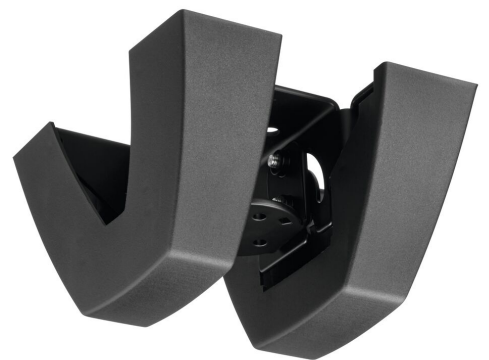
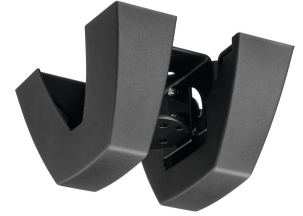


PUC 1035 Ceiling Plate tilt

The PUC 1035 ceiling plate is part of the modular Connect-it system. This ceiling plate is suitable for flat and inclined ceilings up to 90°. You can use this ceiling plate to create a ceiling solution for projectors or small to medium-sized displays.





PUC 1035 Ceiling Plate tilt

Specifications

Article number (SKU)	7210350
Colour	Black
EAN single box	8712285324109
Height	90
Length	159
Width	145
TÜV certified	Yes
Tilt	Tilt up to 90°
Guarantee	5 years
Max. weight load (kg/Lbs)	30 / 66.14
Ceiling plate options	Flat / inclined 0-90°
Fischer inside	Yes
Height options	Fixed height
Max. distance to ceiling - center display (mm)	56
Min. distance to ceiling - center display (mm)	56

VOGEL'S HOLDING BV (©)

All rights reserved.
Subject to printing errors,
technical and price
amendments.

Date: 2023-01-14



Vogel's. For Sure.