



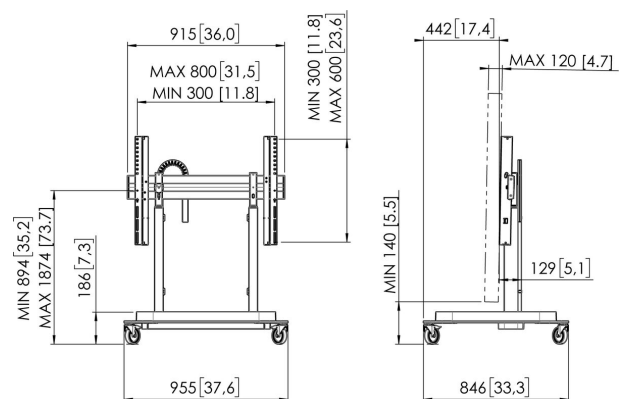
## RISE 5200 Motorized Display Lift Trolley DirectControl

### Key Benefits

- Manual operating with electrical support (DirecControl®)
- Maintenance-free and 5-year warranty
- TÜV and CE certified
- Option for whiteboards & various accessories
- Anti-collision on the display lift prevents damage

### Motorized display lift trolley, manually operated, for 98 inch display

This RISE DirecControl® electrically supported display lift trolley is a robust mobile solution. Manually operated, this lift is suitable for screens up to 98" with a max. of 100 kg. This trolley is adjustable in height up to 980 mm, has a universal VESA size up to max. 800x600 and built up to max. 120 kg in combination with, for example, whiteboards. Thanks to the stable base on (braked) castors, the lift is easy to move between rooms.





## RISE 5200 Motorized Display Lift Trolley DirectControl



# Specifications

Motorized	Yes
Remote controlled	No
Min. screen size (inch)	55
Max. screen size (inch)	98
Min. horizontal hole pattern (mm)	200
Max. horizontal hole pattern (mm)	800
Min. vertical hole pattern (mm)	200
Max. vertical hole pattern (mm)	600
Min. distance to floor - center display (mm)	894
Max. distance to floor - center display (mm)	1874
Max. weight load (kg)	120
Max. weight load (Lbs)	264.55
Height adjustment (mm)	980
Cable management	Integrated cable management
Max. number of cables to hold	Up to 5 cables
Anti Collision safety mechanism	Yes
Height	1205
Width	955
Depth	846
Article number (SKU)	7352000
EAN single box	8712285416446
Colour	Black
Certifications	CE TÜV
Guarantee	5 years

VOGEL'S HOLDING BV (©)

All rights reserved.  
Subject to printing errors,  
technical and price  
amendments.

Date: 2025-10-28



**Vogel's.** For Sure.